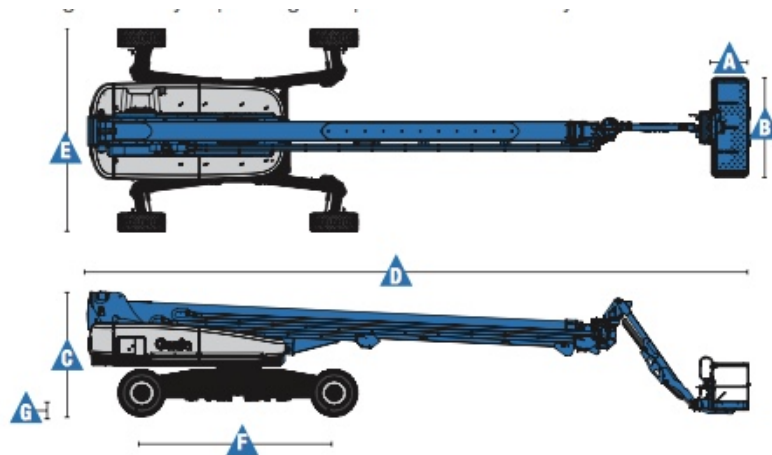




ILA-USMX JOINT SAFETY COMMITTEE

OSH ALERT 2017-06 [26 July 2017]

Aerial Lift Recall Notice



Many marine terminal operators and their staffs utilize aerial lifts for various tasks ranging from facility maintenance, equipment maintenance, refrigerated container operations, etc.

Aerial Lift manufacturer **Genie Industries** has recently issued a recall notice that addresses certain production runs of their Model SX-150 & SX-180 lifts.

In sum, during the welding of boom sections on the affected machines, weld debris (slag) was insinuated within the boom structure. **Genie Industries** appears to believe that the potential for premature/excessive wear of the upper wear pads could result.

They offer relief (in the form of kits) within the relevant product safety notice. We provide a hyperlink to that notice, below:

<http://www.genieservice.eu/safety/download/bulletins/170012.pdf>

Got a question about this particular subject? Write to the JSC at: blueoceana@optonline.net

Working Together For The Benefit Of All

ILA-USMX OSH Circulars are devised to reflect the best possible information and guidance, and are products of diligent research and the most up to date subject matter knowledge. Consequently, while the information contained herein is believed to be accurate, owing to a host of factors ILA-USMX can convey no direct or implied warranty relative to the reliance of parties upon content.